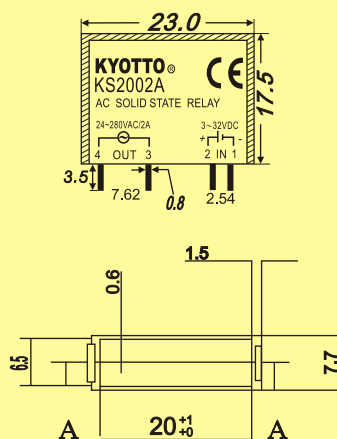
	
AC-AC		AC-AC	AC-DC	AC-DC	DC-AC	
KL20C10AX KL20C15AX KL20C25AX KL20C40AX KL20C50AX KL20C75AX KL20C90AX KL20C100AX KL20C125AX	KL40C10AX KL40C15AX KL40C25AX KL40C40AX KL40C50AX KL40C75AX KL40C90AX KL40C100AX KL40C125AX	KM20C02A KM20C04A KM20C06A	KN0602D KN0604D	KN1010D KN1025D	KN2010D KN2025D	KO20C01A K020C02A
80~280VAC		80~280VAC	80~280 VAC	80~280 VAC	80~280 VAC	3~32VDC
Max 10 VAC		Max 10 VAC	Max 10VAC	Max 10 VAC	Max 10 VAC	Max 1.0 VAC
1.5 Kohm		1.5 Kohm	1.5 Kohm	1.5 Kohm	1.5 Kohm	1.5 Kohm
10A, 15A, 25A, 40A, 50A, 75A, 90A, 100A, 125A		2A, 4A, 6A	2A, 4A	10A, 25A	10A, 25A	1A, 2A
24~280VAC	48~480VAC	24~280VAC	3~60VDC	5~120VDC	5~240VDC	12~280VAC
600VAC peak	1200VAC peak	600VAC peak	80 VDC	140VDC	300VDC	600VAC peak
Less 3 mA	Less 5 mA	Less 5 mA	Less 2mA	Less 3mA	Less 5mA	Less 3mA
100A, 150, 250A, 400A, 500A, 750A, 900A, 1000A, 1250A		20A, 40A, 60A	3A, 8.5A	15A, 35A	15A, 35A	10A, 20A
500 V/ $\mu$ SEC	1000 V/ $\mu$ SEC	2A, 4A:100 V/ $\mu$ SEC 6A:200 V/ $\mu$ SEC	200V/ $\mu$ SEC	100V/ $\mu$ SEC	200V/ $\mu$ SEC	250V/ $\mu$ SEC
10 <sup>9</sup> ohm		10 <sup>9</sup> ohm	10 <sup>9</sup> ohm	10 <sup>9</sup> ohm	10 <sup>9</sup> ohm	10 <sup>9</sup> ohm
4000VAC rms		2500VAC rms	2500VAC rms	4000VAC rms	4000VAC rms	2500VAC rms
4000VAC rms		—	—	4000VAC rms	4000VAC rms	—
Less 2m SEC		Less 2m SEC	Less 2m SEC	Less 2m SEC	Less 2m SEC	Less 2m SEC
Less 1/2 AC cycle		Less 1/2 AC cycle	Less 1/2 AC cycle	Less 2m SEC	Less 2m SEC	Less 2m SEC
47~70Hz		47~70Hz	47~70Hz	47~70Hz	47~70Hz	47~70Hz
-20° ~ 80°C		-20° ~ 80°C	-20° ~ 80°C	-20° ~ 80°C	-20° ~ 80°C	-20° ~ 80°C
Zero Cross		Zero Cross	N/A	N/A	N/A	Zero Cross
100g		12g	12g	95g	95g	1.5g

### KS Series



### KT Series

