

三相馬達正逆轉固態繼電器 3 PHASE SOLID STATE REVERSING RELAY

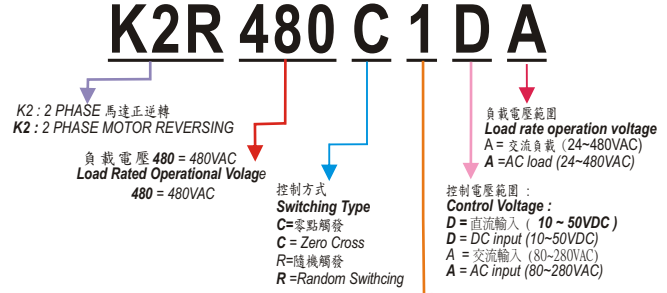
| | |
|------------|------------|
| K2R480C1DA | K2R480R1DA |
| K2R480C2DA | K2R480R2DA |
| K2R480C3DA | K2R480R3DA |
| K2R480C4DA | K2R480R4DA |
| K2R480C5DA | K2R480R5DA |
| K2R480C7DA | K2R480R7DA |

K2R480XXDA SERIES



型號索引說明 Model No. Descriptions:

- ❖ 此為三相馬達正逆轉所設計
Motor reversing for 3-phase induction motors.
- ❖ 負載輸出電壓可達480VAC
Rated operational voltage : Up to 480VACrms.
- ❖ 內建連結功能。
Built-in interlock function.
- ❖ 直流控制/交流控制
DC control voltage / AC control voltage
- ❖ 內建衝擊電壓保護
Built-in voltage transient protection.
- ❖ 輸入-輸出絕緣電壓可達4000VACrms。
Insulation: Optocoupler (input-output) 4000VACrms.



馬達額定功率 **Motor Power Rating** :
1=1HP (0.75kW), 2=2HP (1.5kW), 3=3HP (2.2kW)
4=4HP (3.0kW), 5=5HP (4.0kW), 7=7.5HP (5.5kW)

產品摘錄 PRODUCT SELECTON

輸出規格 OUTPUT SPECIFICATIONS

| 品名 | Description | K2R480C1DA | K2R480C2DA | K2R480C3DA | K2R480C4DA | K2R480C5DA | K2R480C7DA |
|----------|---|-------------|-------------|-------------|-------------|-------------|-------------|
| 馬達額定功率 | Motor rating | 1HP/0.75kW | 2HP/1.5kW | 3HP/2.2kW | 4HP/3.0kW | 5HP/4.0kW | 7.5HP/5.5kW |
| 負載電壓範圍 | Operating Voltage [VAC] | 24-480 | 24-480 | 24-480 | 24-480 | 24-480 | 24-480 |
| 破壞電壓 | Maximum Transient Overvoltage [Vpk] | 1200 | 1200 | 1200 | 1200 | 1200 | 1200 |
| 洩露電流 | Maximum Off-State Leakage Current @Rated Voltage [mA] | Less 1m Ams | Less 1m Ams | Less 1m Ams | Less 1m Ams | Less 1m Ams | Less 1m Ams |
| 最大瞬間承受電流 | Maximum Surge Current [Adc] (10ms) | 10A | 20A | 30A | 40A | 50A | 75A |
| 動作壓降 | Maximum On-State Voltage Drop @ Rated Current [Vdc] | 1.6 | 1.6 | 1.6 | 1.6 | 1.6 | 1.6 |
| 端子阻抗 | Thermal Resistance Junction to Case (Rjc) [°C/W] | 0.8 | 0.8 | 0.8 | 0.8 | 0.8 | 0.8 |

輸入規格 INPUT SPECIFICATIONS

| 品名 | Description | K2R480C1DA | K2R480C2DA | K2R480C3DA | K2R480C4DA | K2R480C5DA | K2R480C7DA |
|--------|--|-------------------|-------------------|-------------------|-------------------|-------------------|-------------------|
| 控制電壓範圍 | Control Voltage Range | 10-50V DC | 10-50V DC | 10-50V DC | 10-50V DC | 10-50V DC | 10-50V DC |
| 最小導通電壓 | Minimum Turn-on Voltage | 10 | 10 | 10 | 10 | 10 | 10 |
| 最小關斷電壓 | Minimum Turn-off Voltage | 2.0 | 2.0 | 2.0 | 2.0 | 2.0 | 2.0 |
| 關斷洩漏電流 | Typical Input Current at Nominal Voltage | 15mA | 15mA | 15mA | 15mA | 15mA | 15mA |
| 輸入阻抗 | Nominal Input Impedance | 1.5 Kohm | 1.5 Kohm | 1.5 Kohm | 1.5 Kohm | 1.5 Kohm | 1.5 Kohm |
| 最大動作時間 | Maximum Turn-on Time [msec] | Less 2m Sec | Less 2m Sec | Less 2m Sec | Less 2m Sec | Less 2m Sec | Less 2m Sec |
| 最大關斷時間 | Maximum Turn-off Time [msec] | Less 1/2A C cycle | Less 1/2A C cycle | Less 1/2A C cycle | Less 1/2A C cycle | Less 1/2A C cycle | Less 1/2A C cycle |

一般規格 GENERAL SPECIFICATIONS

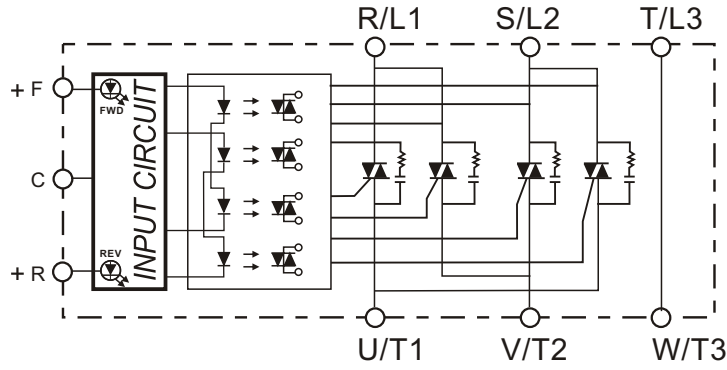
| 品名 | Description | K2R480C1DA | K2R480C2DA | K2R480C3DA | K2R480C4DA | K2R480C5DA | K2R480C7DA |
|--------------|--|---------------------|---------------------|---------------------|---------------------|---------------------|---------------------|
| 輸入/輸出至外殼絕緣電壓 | Dielectric Strength , Input-Output Base (50/60Hz) | 2500 | 2500 | 2500 | 2500 | 2500 | 2500 |
| 絕緣電阻 | Minimum Insulation Resistance | 10 ⁹ ohm | 10 ⁹ ohm | 10 ⁹ ohm | 10 ⁹ ohm | 10 ⁹ ohm | 10 ⁹ ohm |
| 輸入-輸出容抗 | Maximum Capacitance , Input-Output | Less 15pf | Less 15pf | Less 15pf | Less 15pf | Less 15pf | Less 15pf |
| 工作溫度範圍 | Ambient Operating Temperature Range | -20°C ~+80°C | -20°C ~+80°C | -20°C ~+80°C | -20°C ~+80°C | -20°C ~+80°C | -20°C ~+80°C |
| 儲存溫度範圍 | Ambient Storage Temperature Range | -40°C ~+100°C | -40°C ~+100°C | -40°C ~+100°C | -40°C ~+100°C | -40°C ~+100°C | -40°C ~+100°C |
| 觸發方式 | Switching Type | Zero Cross | Zero Cross | Zero Cross | Zero Cross | Zero Cross | Zero Cross |
| 重量 | Weight (g) | 600g | 600g | 600g | 600g | 600g | 600g |

GENERAL NOTES

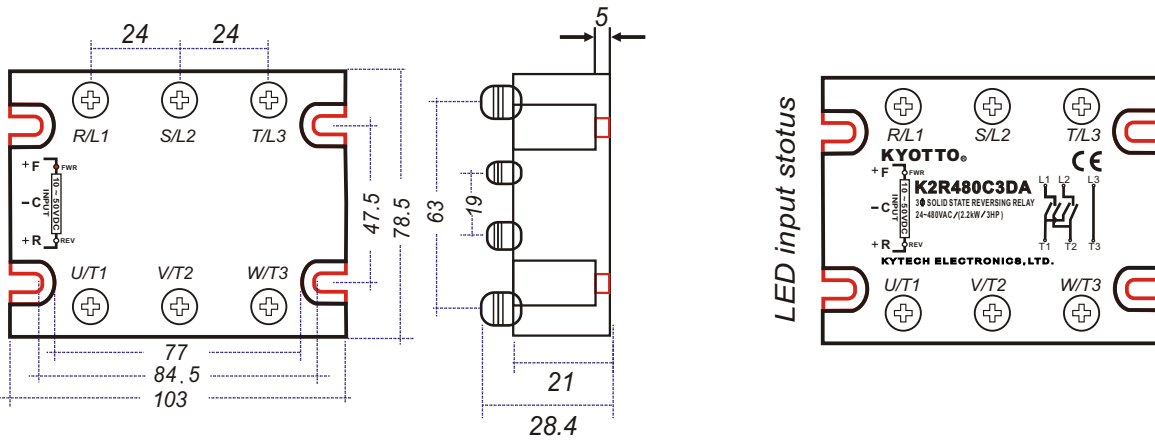
- (1) All parameters at 25°C unless otherwise specified
- (2) Dielectric strength and insulation resistance are measured between input and output
- (3) Heat sinking require ,for derating curves see next page.

等效電路圖 EQUIVALENT CIRCUIT

❖ DC INPUT

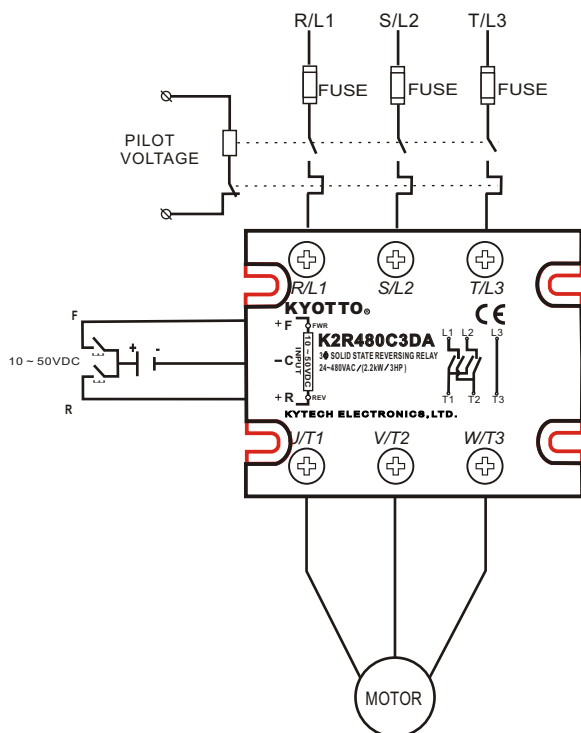


外觀尺寸圖 MECHANICAL DIMENSIONS (Unit:mm)

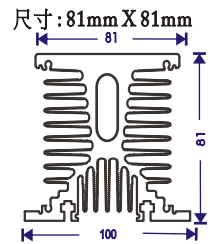
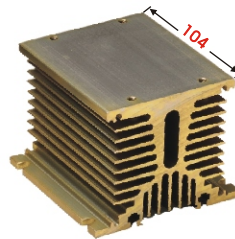


應用範例 EXAMPLE APPLICATION

散熱片 HEAT SINK



❖ KH104-104



❖ KH197

