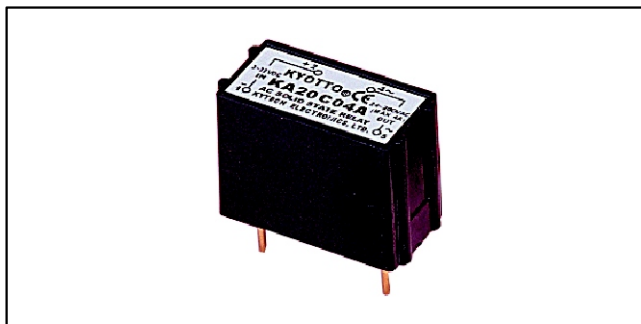


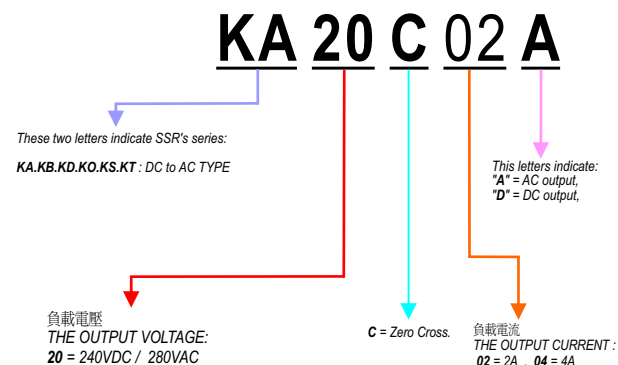
固態繼電器
SOLID STATE RELAY

KA20C02A
KA20C04A

KA20CXXA SERIES



型號索引說明 Model No. Descriptions:



產品摘錄 PRODUCT SELECTON

輸出規格 OUTPUT SPECIFICATIONS

品名	Description	KA20C02A	KA20C04A
負載電壓範圍	Operating Voltage [VAC]	24-280V AC	24-280V AC
破壞電壓	Maximum Transient Overvoltage [Vpk]	600	600
洩露電流	Maximum Off-State Leakage Current @Rated Voltage [mA]	Less 3mA	Less 3mA
最大瞬間承受電流	Maximum Surge Current [Adc](10ms)	20A	40A
動作壓降	Maximum On-State Voltage Drop @ Rated Current [VACrms]	1.5	1.5
瞬間電壓變化率	Maximum Off-State dv/dt [V/μSEC]	200	200

輸入規格 INPUT SPECIFICATIONS

品名	Description	KA20C02A	KA20C04A
控制電壓範圍	Control Voltage Range	3-32V DC	3-32V DC
最小導通電壓	Minimum Turn-on Voltage	3.0	3.0
最小關斷電壓	Minimum Turn-off Voltage	1.0	1.0
輸入電流	Typical Input Current	15mA	15mA
最大動作時間	Maximum Turn-on Time [mSec]	Less 2m Sec	Less 2m Sec
最大關斷時間	Maximum Turn-off Time [mSec]	Less 1/2A C cycle	Less 1/2A C cycle

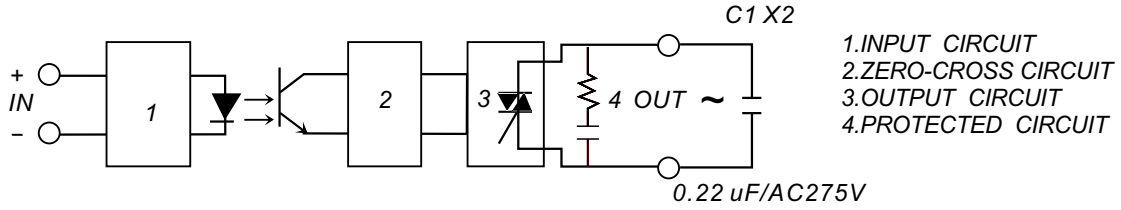
一般規格 GENERAL SPECIFICATIONS

品名	Description	KA20C02A	KA20C02A
輸入/輸出至外殼絕緣電壓	Dielectric Strength , Input-Output Base (50/60Hz)	2500	2500
輸入/輸出絕緣電壓	Dielectric Strength , Input-Output (50/60Hz)	-	-
絕緣電阻	Minimum Insulation Resistance	10 ⁹ ohm	10 ⁹ ohm
輸入-輸出容抗	Maximum Capacitance , Input-Output	Less 15pf	Less 15pf
工作溫度範圍	Ambient Operating Temperature Range	-20°C~+80°C	-20°C~+80°C
儲存溫度範圍	Ambient Storage Temperature Range	-40°C~+100°C	-40°C~+100°C
觸發方式	Switching Type	Zero Cross	Zero Cross
重量	Weight (g)	15g	15g

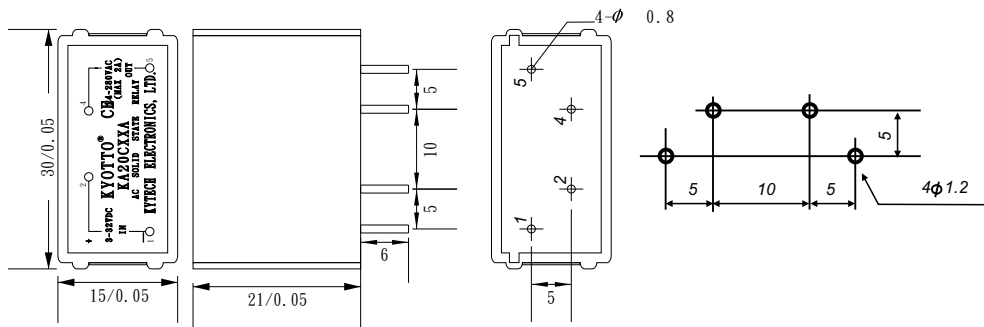
GENERAL NOTES

- (1) All parameters at 25°C unless otherwise specified
- (2) Dielectric strength and insulation resistance are measured between input and output
- (3) Heat sinking require ,for derating curves see next page.

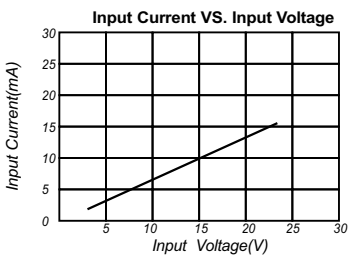
等效電路圖 EQUIVALENT CIRCUIT



外觀尺寸圖 MECHANICAL DIMENSIONS (Unit:mm)



CHARACTERISTIC CURVES



Attention:

In order to be in compliance with the EMC Directive an additional X2 capacitor at the output is required if the SSR is operated as single component. In case the SSR is incorporated in an appliance the existing EMI filter may provide the required EMI suppression. The X2 capacitor must be placed as close as possible to the output terminals. See also above.

