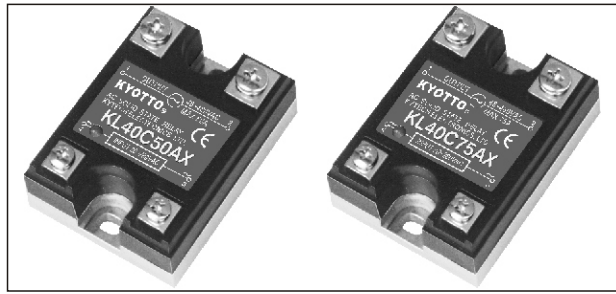


AC SOLID STATE RELAY

KL40C10AX
 KL40C15AX
 KL40C25AX
 KL40C40AX
 KL40C50AX
 KL40C75AX
 KL40C90AX
 KL40C100AX
 KL40C125AX

KL SERIES

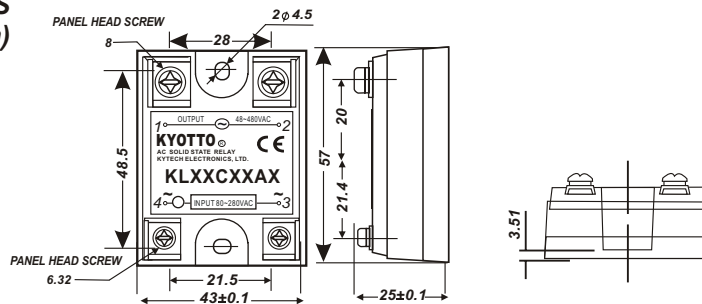


SPECIFICATIONS

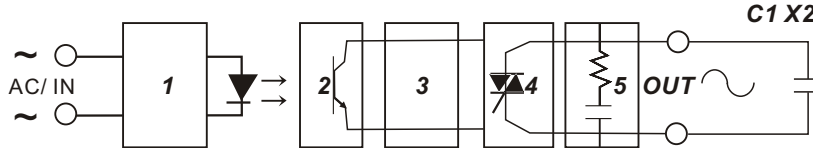
MODEL NO.	CONTROL VOLTAGE RANGE	MUST TURN OFF VOLTAGE	INPUT IMPEDANCE	MAX LOAD CURRENT	LOAD VOLTAGE RANGE	MIN BLOCKING VOLTAGE	MAX OFF-STATE LEAKAGE	FREQUENCY RANGE	MAX 1-CYCLE PEAK SURGE
KL40C10AX	80 TO 280 VAC	MAX10 VAC	1.5 Kohm	10A	48-480VAC	600VAC	LESS 5 mA	47-70HZ	100A
KL40C15AX	80 TO 280 VAC	MAX10 VAC	1.5 Kohm	15A	48-480VAC	600VAC	LESS 5 mA	47-70HZ	150A
KL40C25AX	80 TO 280 VAC	MAX10 VAC	1.5 Kohm	25A	48-480VAC	600VAC	LESS 5 mA	47-70HZ	250A
KL40C40AX	80 TO 280 VAC	MAX10 VAC	1.5 Kohm	40A	48-480VAC	600VAC	LESS 5 mA	47-70HZ	400A
KL40C50AX	80 TO 280 VAC	MAX10 VAC	1.5 Kohm	50A	48-480VAC	600VAC	LESS 5 mA	47-70HZ	500A
KL40C75AX	80 TO 280 VAC	MAX10 VAC	1.5 Kohm	75A	48-480VAC	600VAC	LESS 5 mA	47-70HZ	750A
KL40C90AX	80 TO 280 VAC	MAX10 VAC	1.5 Kohm	90A	48-480VAC	600VAC	LESS 5 mA	47-70HZ	900A
KL40C100AX	80 TO 280 VAC	MAX10 VAC	1.5 Kohm	100A	48-480VAC	600VAC	LESS 5 mA	47-70HZ	1000A
KL40C125AX	80 TO 280 VAC	MAX10 VAC	1.5 Kohm	125A	48-480VAC	600VAC	LESS 5 mA	47-70HZ	1250A

MODEL NO.	MAX OFF STATE dv/dt	MAX ON-STATE VOLTAGE DROP	ISOLATE IMPEDENCE	DIELECTRIC STRENGTH INPUT-OUTPUT	DIELECTRIC STRENGTH INPUT-OUTPUT-CASE	TURN ON TIME	TURN OFF TIME	CAPACITANCE IN-OUT	WEIGHT (g)
KL40C10AX	1000 V/μs SEC	2.0VACrms	10 ⁹ ohm	4000 VACrms	2500 VACrms	LESS 2 mSec	LESS 1/2 AC CYCLE	LESS 15 PF	95 g
KL40C15AX	1000 V/μs SEC	2.0VACrms	10 ⁹ ohm	4000 VACrms	2500 VACrms	LESS 2 mSec	LESS 1/2 AC CYCLE	LESS 15 PF	95 g
KL40C25AX	1000 V/μs SEC	2.0VACrms	10 ⁹ ohm	4000 VACrms	2500 VACrms	LESS 2 mSec	LESS 1/2 AC CYCLE	LESS 15 PF	100 g
KL40C40AX	1000 V/μs SEC	2.0VACrms	10 ⁹ ohm	4000 VACrms	2500 VACrms	LESS 2 mSec	LESS 1/2 AC CYCLE	LESS 15 PF	100 g
KL40C50AX	1000 V/μs SEC	2.0VACrms	10 ⁹ ohm	4000 VACrms	2500 VACrms	LESS 2 mSec	LESS 1/2 AC CYCLE	LESS 15 PF	100 g
KL40C75AX	1000 V/μs SEC	2.0VACrms	10 ⁹ ohm	4000 VACrms	2500 VACrms	LESS 2 mSec	LESS 1/2 AC CYCLE	LESS 15 PF	100 g
KL40C90AX	1000 V/μs SEC	2.0VACrms	10 ⁹ ohm	4000 VACrms	2500 VACrms	LESS 2 mSec	LESS 1/2 AC CYCLE	LESS 15 PF	100 g
KL40C100AX	1000 V/μs SEC	2.0VACrms	10 ⁹ ohm	4000 VACrms	2500 VACrms	LESS 2 mSec	LESS 1/2 AC CYCLE	LESS 15 PF	100 g
KL40C125AX	1000 V/μs SEC	2.0VACrms	10 ⁹ ohm	4000 VACrms	2500 VACrms	LESS 2 mSec	LESS 1/2 AC CYCLE	LESS 15 PF	100 g

OUTLINE DIMENSIONS (unit:mm)



EQUIVALENT CIRCUIT



1uF~1.5uF/AC 600V

- 1.INPUT CIRCUIT
- 2.PHOTO DETECTOR
- 3.ZERO-CROSS CIRCUIT
- 4.OUTPUT CIRCUIT
- 5.PROTECTED CIRCUIT

CHARACTERISTIC CURVES

